

<i>Smokes while burning</i>	Insufficient draught	- Open temporarily the flue damper control.
		<input checked="" type="checkbox"/> - Consult a chimney specialist.
		<input checked="" type="checkbox"/> - Check that the flue is not obstructed, sweep it if necessary,
	Down draught	<input checked="" type="checkbox"/> - Install an anti-down draught cowl
	Room is in decompression	- In houses equipped with mechanical ventilation, an outside air intake must be installed for the chimney.
<i>Low heat output</i>	Poor quality wood	- Use the recommended fuel
	Poor mixing of the convection air	<input checked="" type="checkbox"/> - Check the air flow system (air inlet, piping, air outlet)
		<input checked="" type="checkbox"/> - Check that the next rooms are equipped with ventilation grids to help out the hot air circulation

4. Spare parts

For any order of spare parts, please indicate : model nr, code of the colour, description of the part, code number and colour index of the part.

Exemple : Insert fire, model : 634 07 37, indice de couleur Y, porte 331105 ED.

A = 634 07 37 B = 634 07 38

N°	Code	Description.	A . B	Qty	N°	Code	Description.	A . B	Qty
1	106090	Junction block	A . .	02	26	303841	ED Flue collar	A . B	01
2	109127	Wiring.	A .	01	27	305714	ED Supplementary grate. . .	A . B	01
3	109178	Cable	A .	01	28	306267	ED Back wall	A . B	01
4	134107	Glove	A . B	01	29	306802	ED Flue collar	A . B	02
5	134758	Pin	A . B	02	30	309219	ED Wood grate.	A . B	01
6	162518	Descriptive plate	A .	01	31	309892	ED Front plate	A . B	01
6	162621	Descriptive plate	A . B	01	32	310213	ED Side panel	A . B	02
7	162531	Descriptive plate	A .	01	33	314112	ED Hinge	A . B	01
8	166035	Spring	A . B	01	34	319730	ED Base	A . B	01
9	174201	Clamp.	A .	04	35	320618	ED Sliding door.	A . B	01
10	179042	Thermostat	A .	01	36	328222	ED Protection grate	A . B	01
11	181622	Ceramic rope.	A . B	2,56 m	37	330014	ED Hearth plate	A . B	01
12	188508	Fan	A .	02	38	331105	ED Main door.	A . B	01
13	188814	Ceramic glass	A . B	01	39	352153	ED Top plate	A . B	01
14	200174	Base	A . B	01	40	403713	Block stop	A . B	02
15	217128	Shell	A . B	01	43	900949	ED Knob	A . B	01
16	217231	Shell top	A . B	01	44	134702	Pin	A . B	02
17	222558	Flue baffle	A . B	01	45	134749	Pin	A . B	01
18	224046	Ash pan.	A . B	01	46	134711	Pin	A . B	01
19	249316	Slide plate	A . B	01	47	101043	Axle.	A . B	01
20	260572	Heat shield	A .	02	48	181607	Ceramic rope.	A . B	2,28 m
21	271008	Braket	A . B	04	49	988852	Complete door	A . B	01
22	276004	Plate	A . B	01	50	415504	60 Poker	A . B	01
23	300990	ED Handle	A . B	01	51	808001	ED Handle	A . B	01
24	301167	ED Ash pan door.	A . B	01	52	900957	Complete sliding door	A . B	01
25	301828	ED Handle	A . B	01					

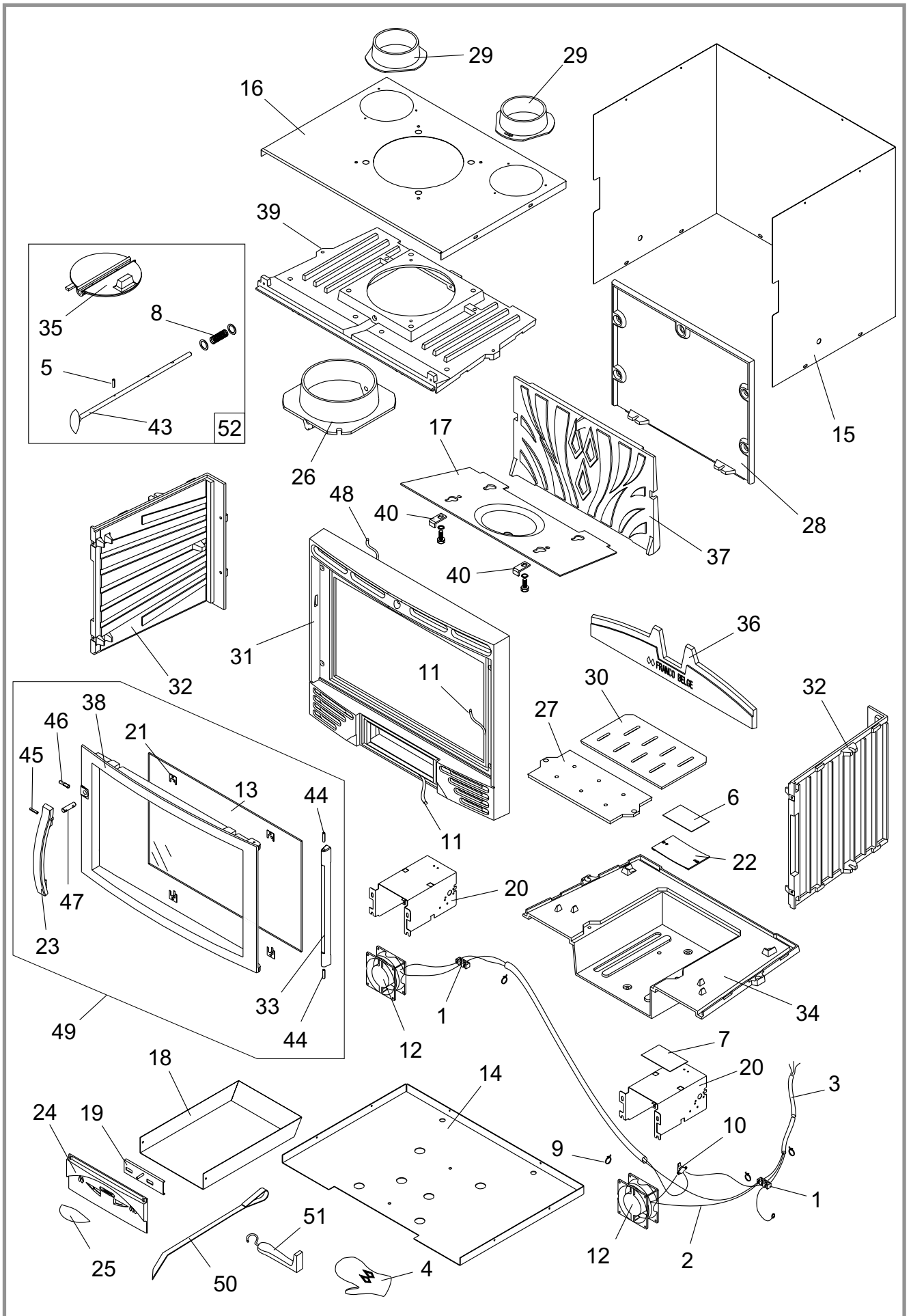


Figure 16 - Vue éclatée de l'appareil