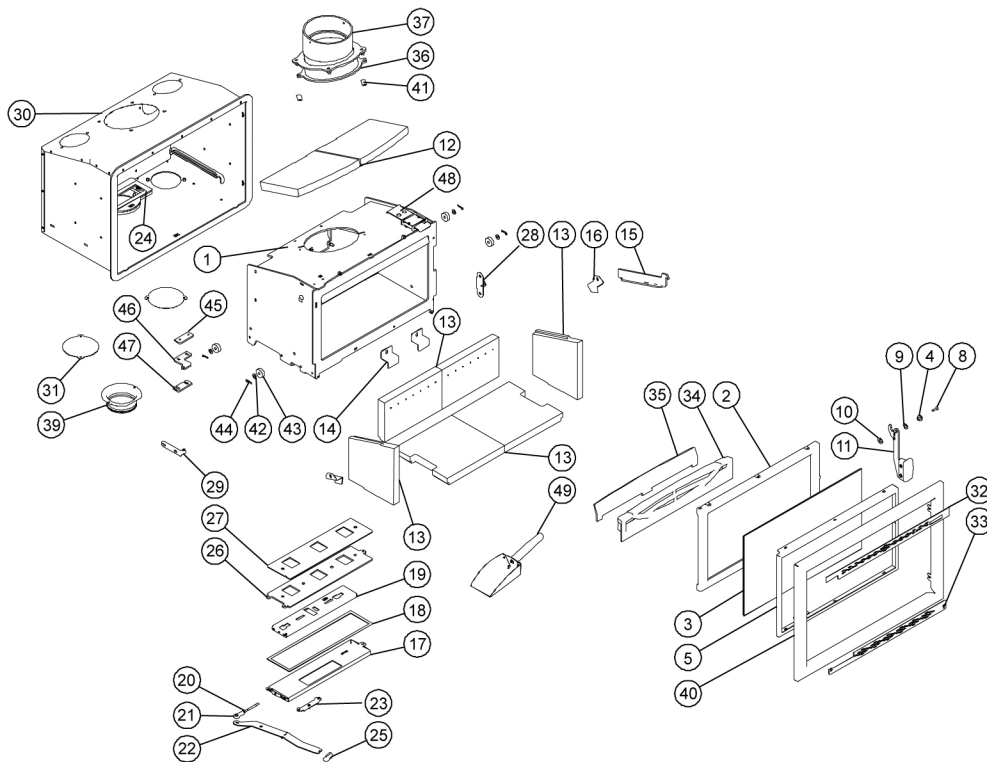




Issue C



| Item | Part No. | Description | Item | Part No. | Description |
|------|------------|------------------------------|------|------------|-----------------------|
| 1 | 001/XR010 | Firebox | 26 | 004/XR072 | Air Control Plate |
| 2 | 002/BT001 | Door Casting | 27 | 008/XR073 | Air Control Gasket |
| 3 | 006/BT018 | Glass | 28 | 004/MR044 | Latch Plate |
| 4 | 008/MR047 | Handle Pivot Boss | 29 | 002/XR020 | Lower Hinge Bracket |
| 5# | 004/BT023 | Glass Trim | 30 | 010/XR011 | Convection Casing |
| 7* | 008/XR076 | Door Seal | 31 | 004/MR060 | Air Duct Cover |
| 8 | 008/FFS046 | M6x20 CSK Allen Screw | 32 | 004/BT025 | Screen Top |
| 9 | 008/FFW027 | M10 Wavy Washer | 33 | 004/BT029 | Screen Lower |
| 10 | 008/FFW007 | M10x19 Washer | 34 | 002/MR017 | Fence |
| 11 | 010/MR038 | Handle Assembly | 35 | 010/MR078 | Ash Barrier |
| 12 | 011/MR031S | Set of Baffle Firebricks | 36 | 010/XR098 | 6" Lower Flue Adaptor |
| 13 | 011/XR030S | Set Base, Back & Side Bricks | 37 | 010/XR096 | 6" Upper Flue Adaptor |
| 14 | 004/XR008 | Back Brick Bracket | 38# | 008/XR044 | Inner Flue Gasket |
| 15 | 010/XR087 | Throat Plate Support Bracket | 39 | 010/MR126 | 100mm Spigot Assy |
| 16 | 004/XR025 | Side Brick Bracket | 40# | 004/BT024 | Facia Plate |
| 17 | 004/XR055 | Air Slide Cover | 41 | 004/GR090 | Fastener Retainer |
| 18 | 008/XR063 | Air Box Upper Gasket | 42 | 008/FFW007 | M8 Washer |
| 19 | 004/XR007 | Air Control Slider | 43 | 010/XR085 | Roller |
| 20 | 004/XR064 | Control Rod | 44 | 008/FFP006 | R-Pin |
| 21 | 008/FFM056 | Rod End | 45 | 010/BT043 | Upper Hinge Spacer |
| 22 | 010/XR022 | Air Slide Control Handle | 46 | 010/XR041 | Upper Hinge Bracket |
| 23 | 004/XR058 | Clicker Assembly | 47 | 010/XR042 | Hinge Spacer |
| 24 | 008/XR062 | Airbox Lower Gasket | 48 | 012/BT011 | Serial No Label |
| 25 | 008/XR012 | Control Knob | 49 | 010/XR088 | Ash Scoop |

* These items are not shown in the drawing

Please specify the colour when ordering Prices are shown in pounds sterling with vat at 20% They are correct at the date shown but may be subject to change without notice. E. & O.E These prices are subject to a carriage charge.

To obtain spare parts please contact your local stockist giving Model, Part No. and Description. In case of difficulty contact the manufacturer at the address shown. This drawing is for identification purposes only.

