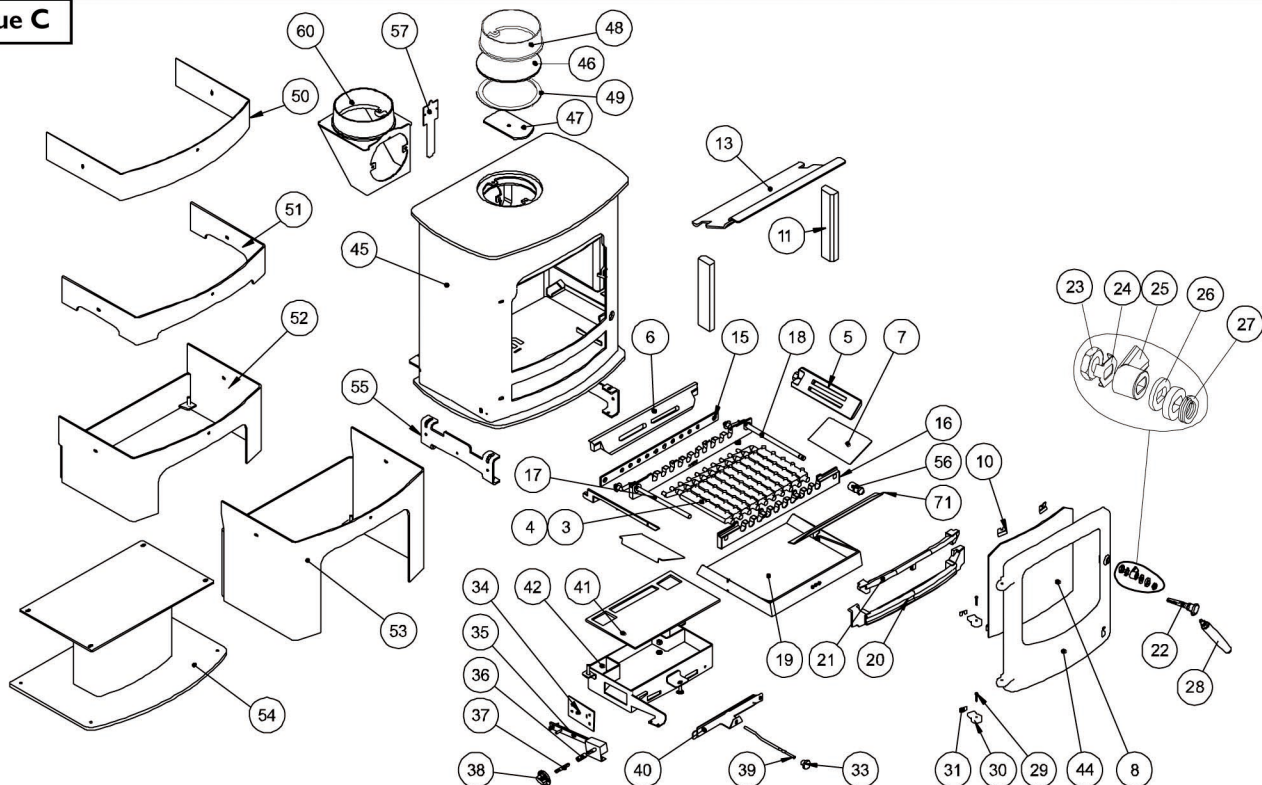




Issue C



Item	Part No.	Description
1*	008/PY23S	Door Seal Set Inc.Adhesive .....
2*	008/FW29	Door Seal Adhesive .....
3	002/CG20	Bottom Grate Bar .....
4	002/CG20S10	Set of Grate Bars (10) .....
5	002/CY15	Side Fire Plate .....
6	002/AY16	Back Fire Plate .....
7	004/FS19	Ash Shedding Plate .....
8	006/PY18	Glass (Inc Seal) .....
9	008/PY45	Glass Seal .....
10	004/KV23	Glass Retainer .....
11	011/FS09S	Set of Fire Bricks (2) .....
13	010/FS31	Throat Plate .....
15	012/AY33	Mover Bar .....
16	002/AY30	Carrier Bar .....
17	012/AY13	Idler Rod .....
18	012/AY15	Riddler Rod .....
19	004/PX17	Ashpan .....
20	002/AY07B	Front Firebar .....
21	002/FS08	Deepening Bar .....
22	002/PX92	Door Knob & Spindle .....
23	008/FFN001	M12 Half Nut .....
24	004/ST008	Tabbed Locking Washer .....
25	002/AY14	Door Catch .....
26	010/ST031	Door Catch Spacer .....
27	008/FFW015	M12 Double Coil Spring Washer .....
28	008/PX95	Door/Riddling/Ashpan Tool .....
29	008/BW39/S	Hinge Pin Set .....
30	002/PY24	Hinge Post .....

Item	Part No.	Description
31	004/PY25B	Hinge Post Shim 0.9mm .....
33	008/AY37	Air Control Knob .....
34	008/FV49	Thermostat Flap .....
35	008/FW48	Thermostat .....
36	004/CS18	Thermostat Connector Tube .....
37	004/FS16	Thermostat Extension Rod .....
38	008/BW50	Thermostat Knob .....
39	004/PY32	Air Control Rod .....
40	004/FS21	Secondary Air Slide .....
41	008/DS12	Thermostat Box Gasket .....
42	010/FS20	Thermostat Box .....
44#	002/PX01/A	Door Assembly .....
45	001/FX10B	Firebox (Cove2B) .....
46	012/TW09	Blanking Plate .....
47	010/AY51	Clamping Plate .....
48#	002/CH12B	Flue Collar .....
49	008/NV38	Flue Fixing Rope Seal .....
50#	010/PY36	Low Stand .....
51#	010/PX32	Low Arch Stand .....
52#	010/PX35	Midi Stand .....
53#	010/PY33	Store Stand .....
54#	010/PY34	Centre Stand .....
55	010/PX37	Stand Fixing Bracket .....
56	002/PX89	Riddler Knob .....
57	012/FS11	Serial No. Label .....
58	010/PY38	Door Catch Stop .....
59*	010/BW51	Ash Carrier (Optional Extra) .....
60#	010/TW33	Vert. Rear Flue Connector (Opt'l Extra)

[www.pieces-de-poele.com](http://www.pieces-de-poele.com)

\*These items are not shown on the drawing

# Please specify colour when ordering Prices are shown in pounds sterling with vat at 20% They are correct at the date shown but may be subject to change without notice. E. & O.E These prices are subject to a carriage charge

To obtain spare parts please contact your local stockist giving Model, Part No. and Description. In case of difficulty contact the manufacturer at the address shown. This drawing is for identification purposes only.

