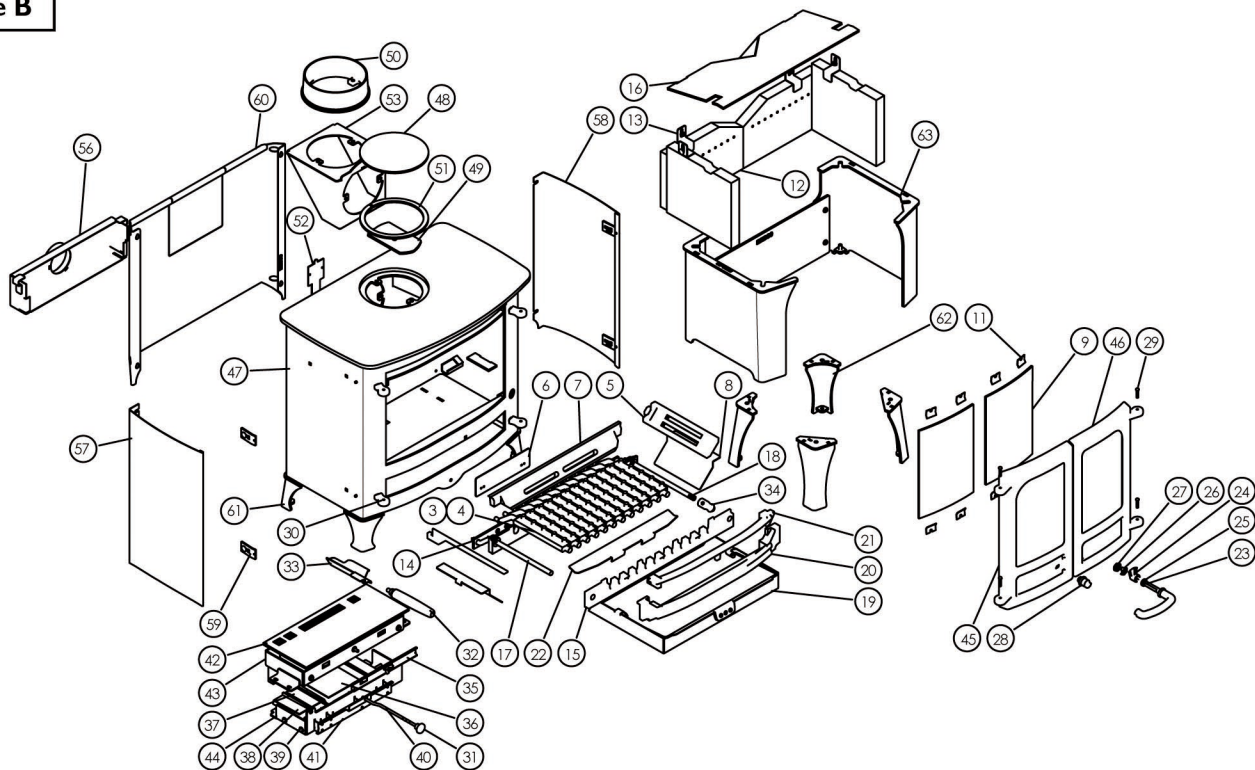




Issue B



Item	Part No.	Description
1*	008/BY35S	Door Seal Set Inc. Adhesive
2*	008/FW29	Door Seal Adhesive
3	002/CG20	Individual Grate Bar
4	002/CG20S12	Set of Grate Bars (12)
5	002/CY15	Side Fire Plate
6	004/BZE081	Undegrate Blanking Plate
7	002/BY16	Back Fire Plate
8	004/BY24	Ash Shedding Plate
9	006/BY18	Glass (Inc Seal)
10*	008/AY45	Glass Seal
11	004/KV23	Glass Retainer
12	011/BZE148S	Set Of Fire Bricks
13	004/XV30	Brick Retainer
14	012/BY33	Mover Bar
15	002/BY30	Carrier Bar
16	010/BY47	Throat Plate
17	012/AY13	Idler Rod
18	012/AY15	Riddler Rod
19	004/BX17	Ashpan
20	002/BY07B	Front Firebar
21	002/BY08	Deepening Bar
22	004/AY78	Front Ash Shedding Plate
23	008/KV16	R.H. Door Handle
24	002/AY14	Door Catch Cam
25	008/FFW015	M12 Double Coil Spring Washer
26	004/ST008	Tabbed Locking Washer
27	008/FFN001	M12 Half Nut
28	008/KV13	L.H. Door Knob
29	008/BW39/S	Hinge Pin Set
30	002/PY24	Hinge Post
31	008/AY37	Air Control Knob
32	008/PX95	Riddling/Ashpan Tool

Item	Part No.	Description
33	004/BX048	Tool Holder
34	002/PX89	Riddler Knob
35	004/AY21	Air Bypass Slide
36	004/AY22-1P	Primary Air Inlet Flap
37	008/AY26S	Set of Air Inlet Flap Pads
38	004/AY22-1S	Secondary/Bypass Air Inlet Flap
39	004/AY24-02	Flap Mounting Rod (Inc. Fixings)
40	004/BY23-07	Air Control Rod
41	004/AY23	Actuator Assembly
42	008/AY39	Upper Quattro Box Gasket
43	010/AY20	Upper Quattro Box
44	010/AY19	Lower Quattro Box
45#	002/BY01/A	Left Hand Door Assembly
46#	002/BY02/A	Right Hand Door Assembly
47#	001/BZ010	Firebox (Island IIZ)
48	012/TW09	Blanking Plate
49	010/AY51	Clamping Plate
50#	002/CH12B	Flue Collar
51	008/NV38	Flue Fixing Rope Seal
52	012/BZE011	Serial No. Label
53#	010/TW33	Vert. Rear Flue Connector (Opt'l Extra)
54*	010/BW51	Ash Carrier (Optional Extra)
55*	010/BY83	Smoke Reducing Kit
56	010/TH63	External Air Manifold Kit
57#	005/BX093L	LH Curved Panel (Optional)
58#	005/BX093R	RH Curved Panel (Optional)
59	010/AX096	Panel Fixing Bracket
60#	010/BX080	Heatshield (Opt'l Extra)
61#	010/BY12S	Set of Low Legs (4)
62#	010/BY13S	Set of High Legs (4)
63#	010/BY87	Store Stand

www.pieces-de-poele.com

* These items are not shown on the drawing.
 # Please specify colour when ordering. Prices are shown in pounds sterling with vat at 20% They are correct at the date shown but may be subject to change without notice. E. & O.E These prices are subject to a carriage charge.

To obtain spare parts please contact your local stockist giving Model, Part No. and Description. In case of difficulty contact the manufacturer at the address shown. This drawing is for identification purposes only.

