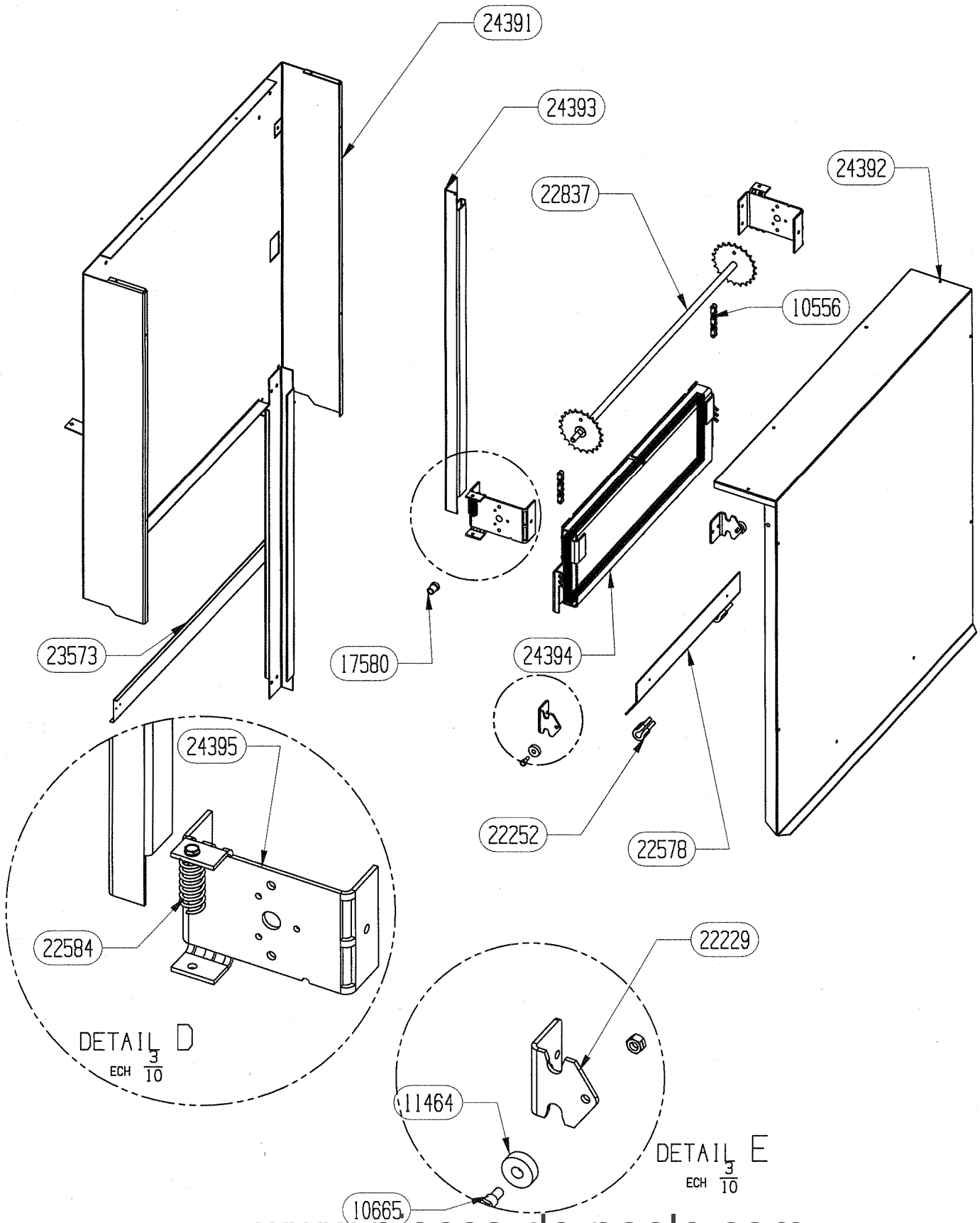


NOMENCLATURE

RLD 960/961/962 980/981/982

PORTE PLANE 23628 EDITION 03/05

| CODE ARTICLE | DESIGNATION | QTE |
|--------------|-----------------------------------|-----|
| 03303 | RONDELLE ONDULEE | 1 |
| 03982 | VIS H M5x12 | 2 |
| 04093 | JOINT PLAT 2x10 LONG. 2,5M | 1 |
| 04421 | RONDELLE Z 8 | 2 |
| 09708 | JOINT RECTANGULAIRE 6x12 LONG. 3M | 1 |
| 10762 | VIS CHC 6x16 | 1 |
| 18731 | JOINT TORIQUE SILICONE | 3 |
| 22253 | FIXE JOINT LATERAL DE PORTE | 2 |
| 22832 | ECROU EPAULE | 2 |
| 22834 | DOUILLE EPAULEE | 1 |
| 22913 | POIGNEE DE PORTE | 1 |
| 23617 | CADRE DE PORTE PLANE | 1 |
| 23674 | FIXE JOINT INFERIEUR | 1 |
| 23677 | DEFLECTEUR DE VITRE | 1 |
| 23697 | VITRE | 1 |
| 23775 | CADRE DE FINITION PORTE PLANE | 1 |
| 23784 | CREMONE DE FERMETURE | 1 |
| | | |
| | | |
| | | |
| | | |
| | | |
| | | |

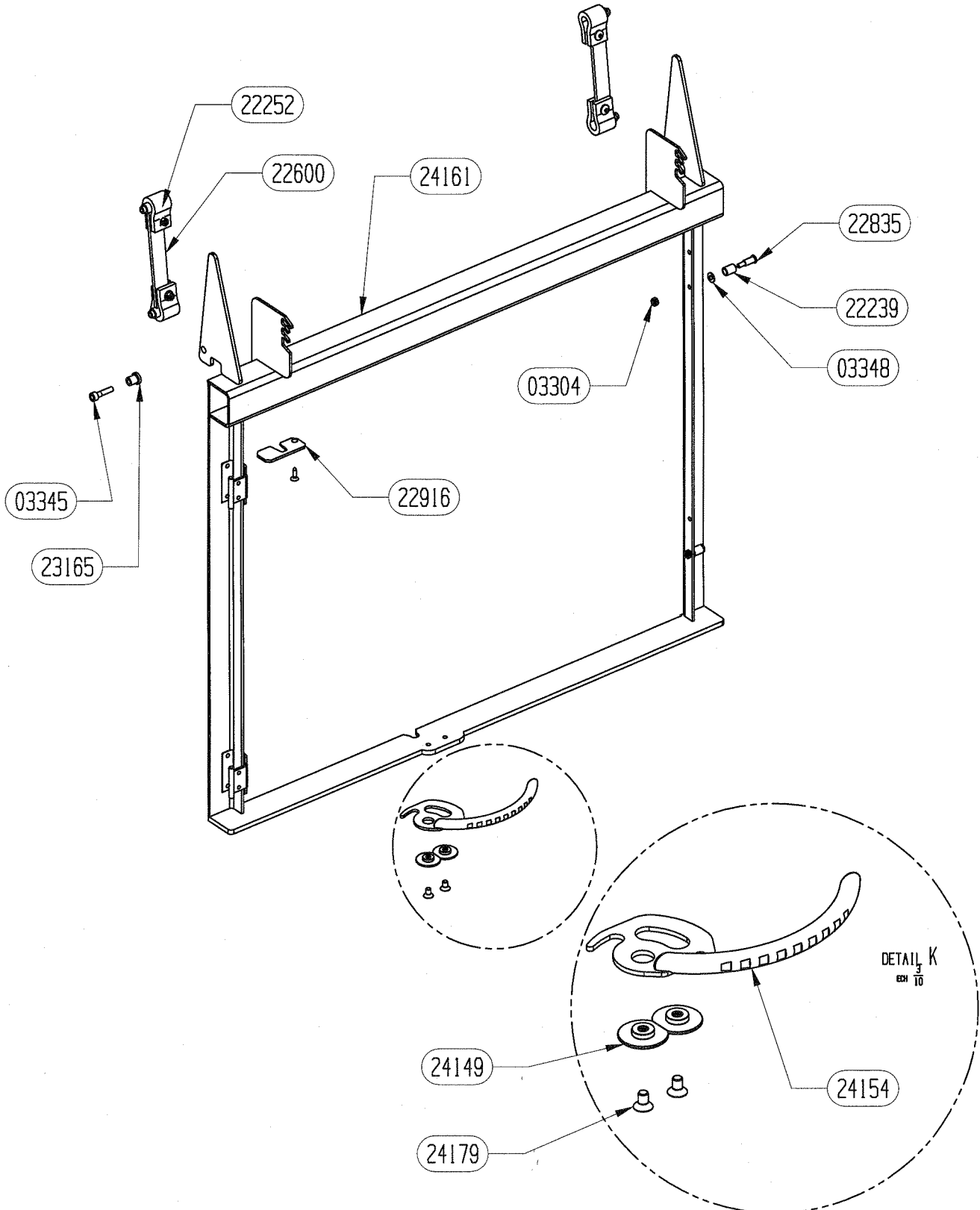


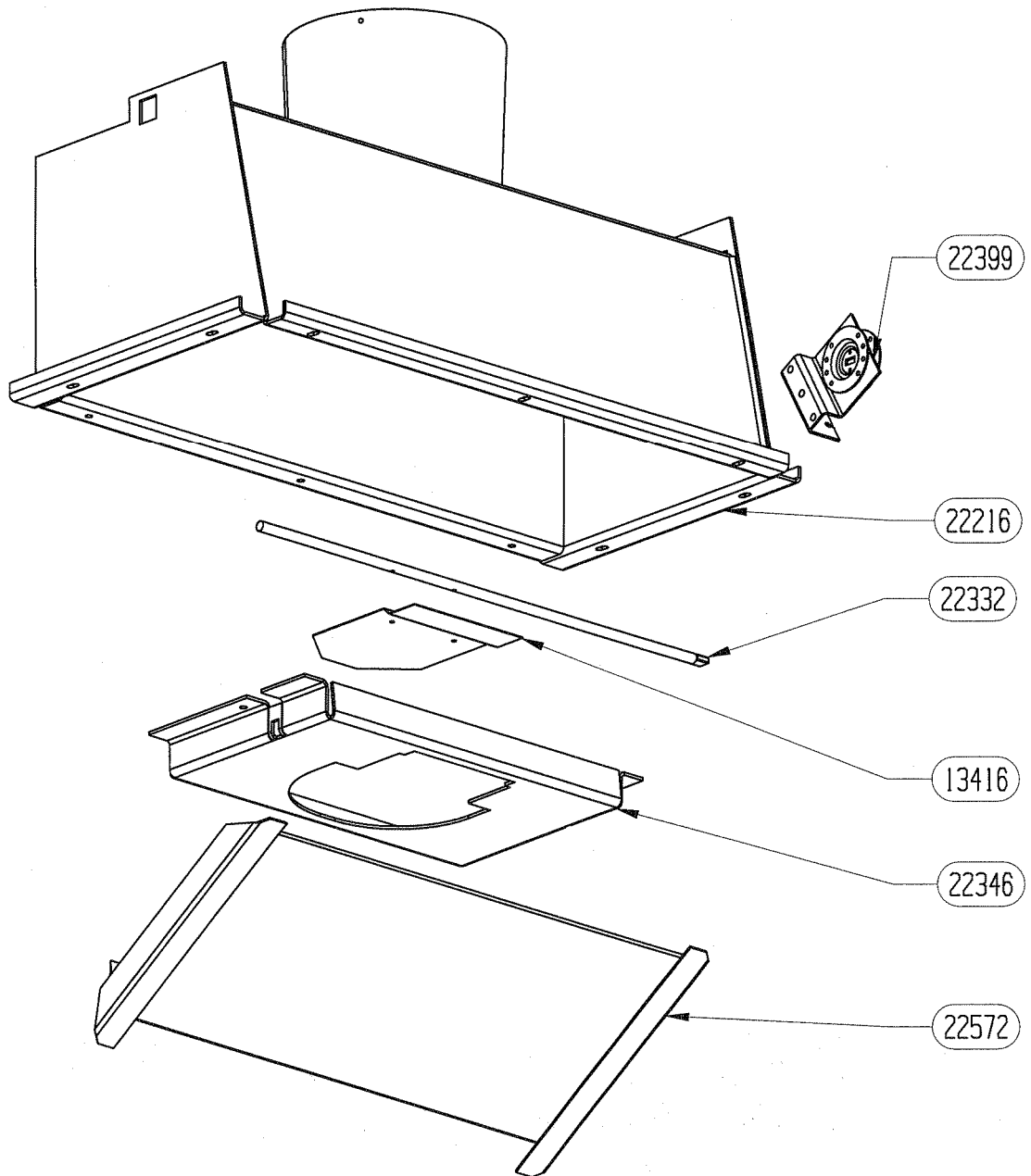
NOMENCLATURE

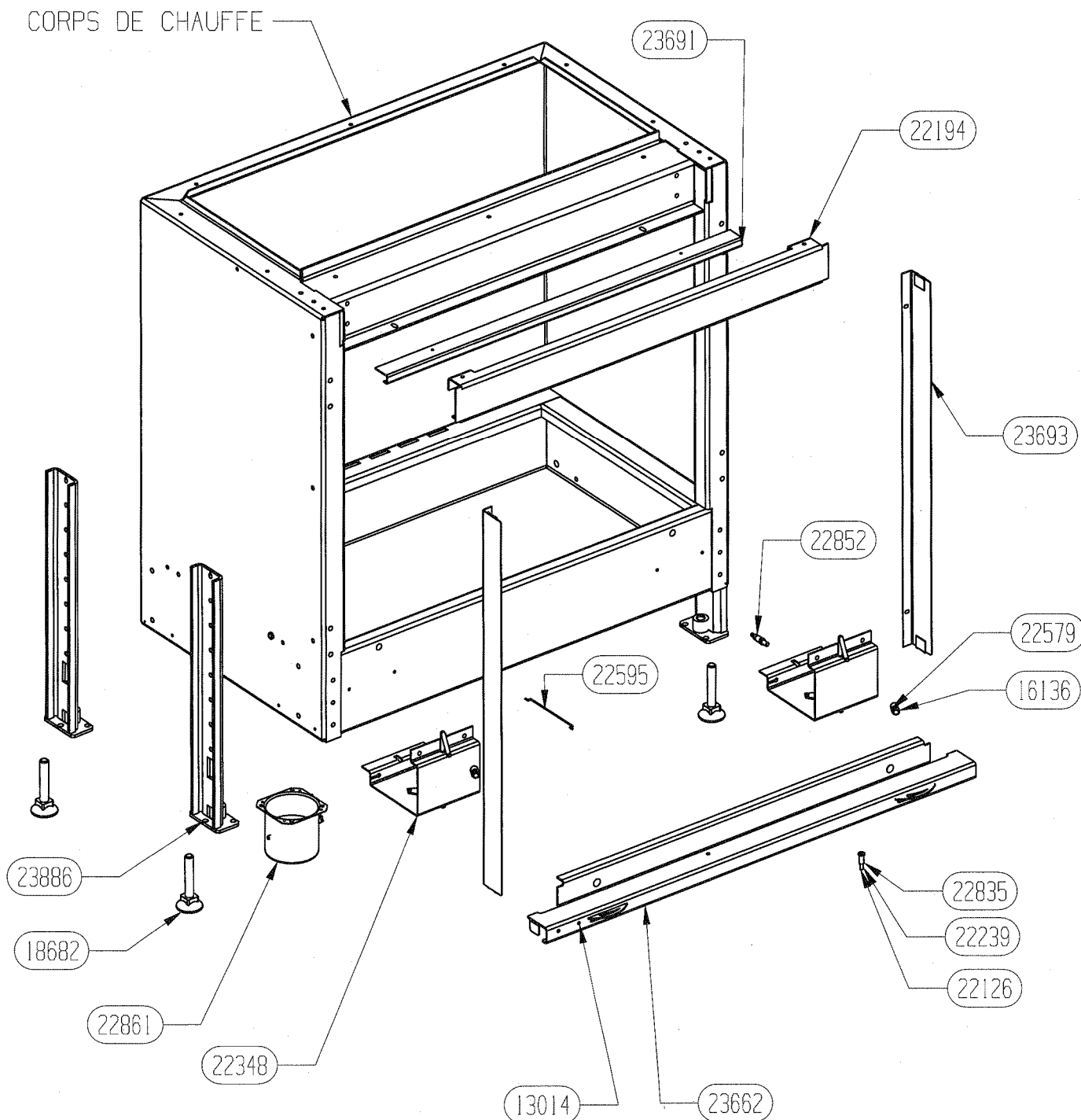
RLD 960/961/962 980/981/982

ESCAMOTAGE 24390 EDITION 03/05

| CODE ARTICLE | DESIGNATION | QTE |
|--------------|----------------------------|-----|
| 10556 | CHAINE A ROULEAU | 2 |
| 10665 | AXE | 2 |
| 11464 | ROULEMENT | 2 |
| 17580 | BAGUE AUTOLUBRIFIANTE | 2 |
| 22229 | BUTEE BASSE ESCAMOTAGE | 2 |
| 22252 | FEUTRINE | 2 |
| 22578 | EQUERRE | 1 |
| 22584 | RESSORT | 2 |
| 22837 | ARBRE DE RENVOI | 1 |
| 23573 | OBTURATEUR AVAL FUMEE | 1 |
| 24391 | ENVELOPPE CHASSIS FIXE | 1 |
| 24392 | CAISSON AVALE FUMEE | 1 |
| 24393 | RAIL DE GUIDAGE ESCAMOTAGE | 2 |
| 24394 | SUPPORT CONTRE POIDS | 1 |
| 24395 | SUPPORT PIGNON ESCAMOTAGE | 2 |
| | | |
| | | |
| | | |
| | | |
| | | |
| | | |
| | | |
| | | |







NOMENCLATURE

RLD 960/961/962 980/981/982

ENSEMBLE CORPS DE CHAUFFE ESCAMOTABLE EDITION 04/05

| CODE ARTICLE | DESIGNATION | QTE |
|--------------|-------------------------------|-----|
| CORPS | CORPS DE CHAUFFE | 1 |
| 13014 | LOGO RLD | 1 |
| 16136 | JOINT TORIQUE D. 3x8 | 4 |
| 18682 | VERIN M12 | 4 |
| 22126 | ECROU FREIN M5 | 2 |
| 22194 | TRAVERSE SUPERIEURE AVANT | 1 |
| 22239 | DOUILLE D. 10/7 L. 13,5 | 2 |
| 22348 | COMMANDE CLAPET | 2 |
| 22579 | BOUTON | 2 |
| 22595 | TIGE DE RENVOI AIR DE GRILLE | 1 |
| 22835 | AXE EPAULE M5 D. 9,5 L. 25,5 | 2 |
| 22852 | CABLE COMMANDE CLAPET DE BUSE | 2 |
| 22861 | BUSE DIA. 75 | 1 |
| 23662 | APPUI DE CHASSIS | 1 |
| 23691 | DEFLECTEUR ARRIERE DE VITRE | 1 |
| 23693 | ENJOLIVEUR | 2 |
| 23886 | PIED | 4 |
| | | |
| | | |
| | | |
| | | |
| | | |
| | | |
| | | |

