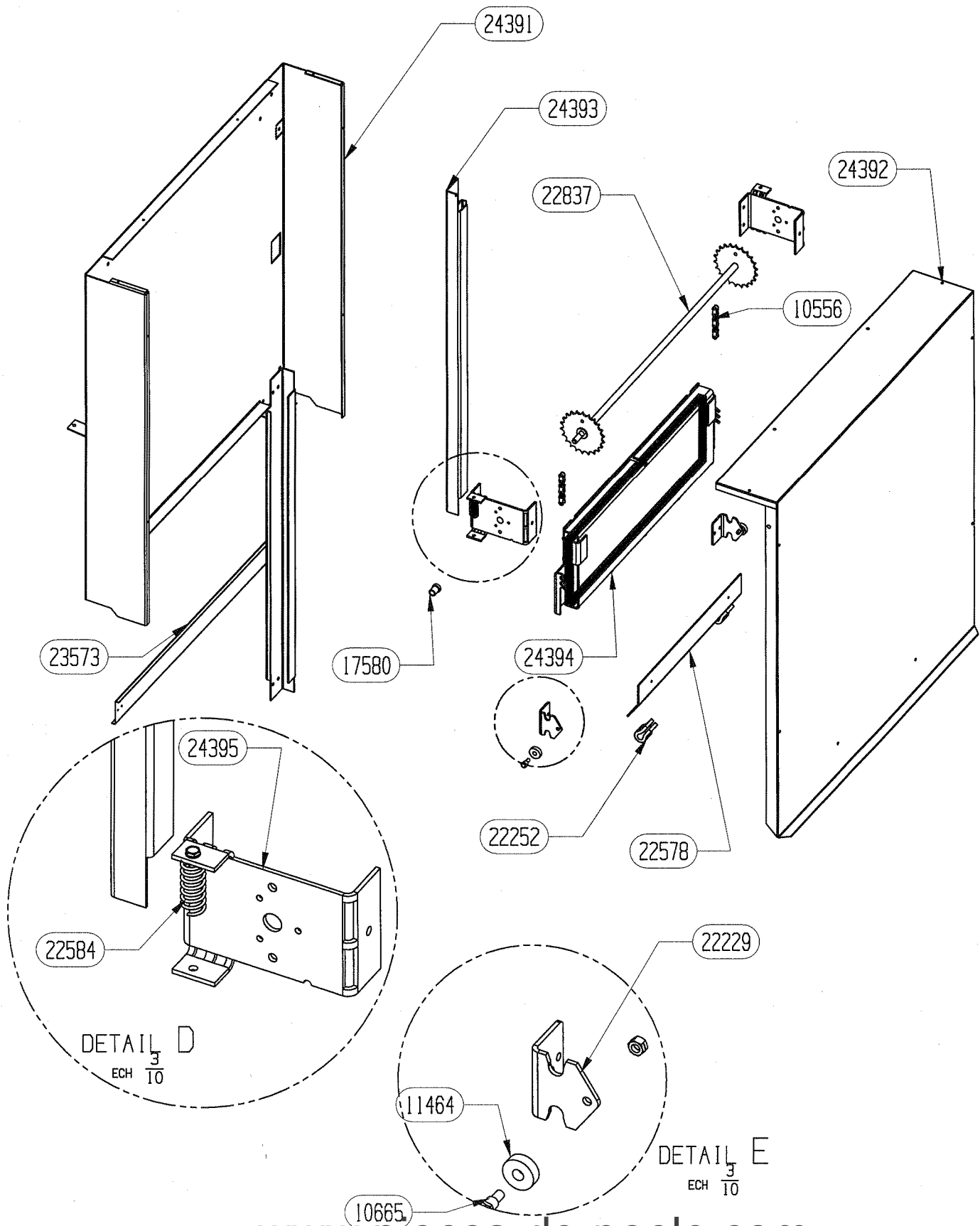


## NOMENCLATURE

RLD 960/961/962 980/981/982

PORTE PLANE 23628 EDITION 03/05

| CODE ARTICLE | DESIGNATION                       | QTE |
|--------------|-----------------------------------|-----|
| 03303        | RONDELLE ONDULEE                  | 1   |
| 03982        | VIS H M5x12                       | 2   |
| 04093        | JOINT PLAT 2x10 LONG. 2,5M        | 1   |
| 04421        | RONDELLE Z 8                      | 2   |
| 09708        | JOINT RECTANGULAIRE 6x12 LONG. 3M | 1   |
| 10762        | VIS CHC 6x16                      | 1   |
| 18731        | JOINT TORIQUE SILICONE            | 3   |
| 22253        | FIXE JOINT LATERAL DE PORTE       | 2   |
| 22832        | ECROU EPAULE                      | 2   |
| 22834        | DOUILLE EPAULEE                   | 1   |
| 22913        | POIGNEE DE PORTE                  | 1   |
| 23617        | CADRE DE PORTE PLANE              | 1   |
| 23674        | FIXE JOINT INFERIEUR              | 1   |
| 23677        | DEFLECTEUR DE VITRE               | 1   |
| 23697        | VITRE                             | 1   |
| 23775        | CADRE DE FINITION PORTE PLANE     | 1   |
| 23784        | CREMONE DE FERMETURE              | 1   |
|              |                                   |     |
|              |                                   |     |
|              |                                   |     |
|              |                                   |     |
|              |                                   |     |
|              |                                   |     |

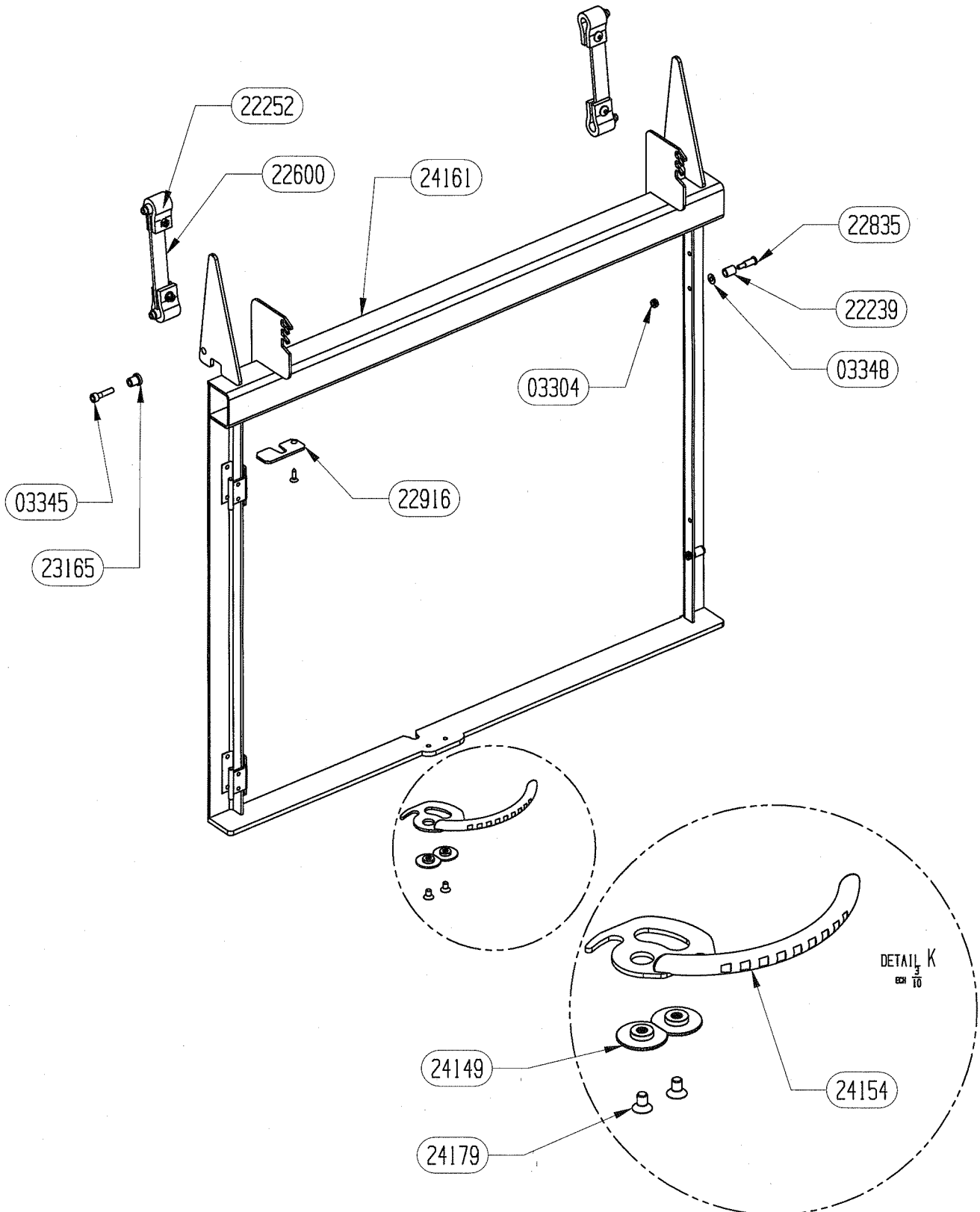


## NOMENCLATURE

RLD 960/961/962 980/981/982

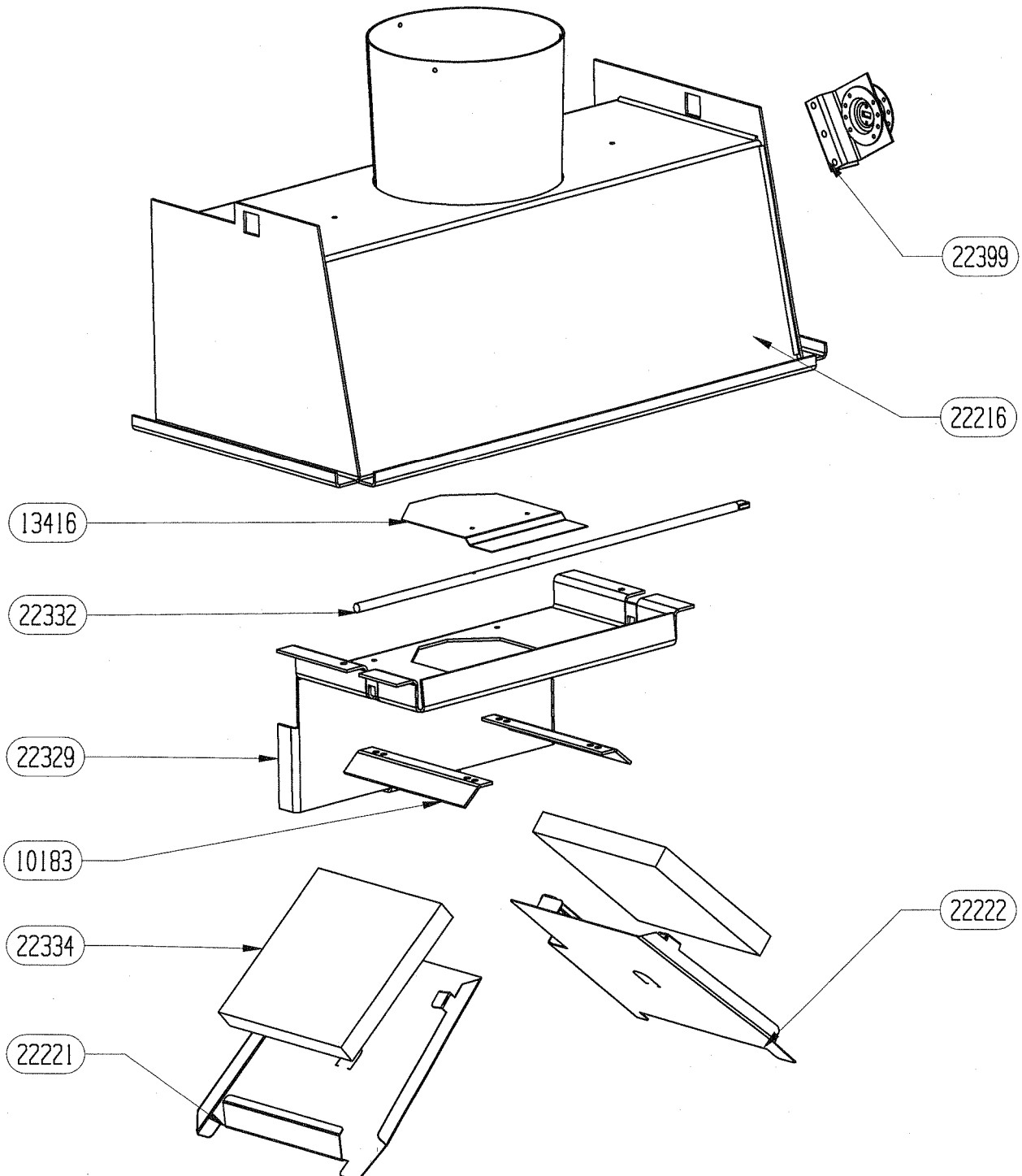
ESCAMOTAGE 24390 EDITION 03/05

| CODE ARTICLE | DESIGNATION                | QTE |
|--------------|----------------------------|-----|
| 10556        | CHAINE A ROULEAU           | 2   |
| 10665        | AXE                        | 2   |
| 11464        | ROULEMENT                  | 2   |
| 17580        | BAGUE AUTOLUBRIFIANTE      | 2   |
| 22229        | BUTEE BASSE ESCAMOTAGE     | 2   |
| 22252        | FEUTRINE                   | 2   |
| 22578        | EQUERRE                    | 1   |
| 22584        | RESSORT                    | 2   |
| 22837        | ARBRE DE RENVOI            | 1   |
| 23573        | OBTURATEUR AVAL FUMEE      | 1   |
| 24391        | ENVELOPPE CHASSIS FIXE     | 1   |
| 24392        | CAISSON AVALE FUMEE        | 1   |
| 24393        | RAIL DE GUIDAGE ESCAMOTAGE | 2   |
| 24394        | SUPPORT CONTRE POIDS       | 1   |
| 24395        | SUPPORT PIGNON ESCAMOTAGE  | 2   |
|              |                            |     |
|              |                            |     |
|              |                            |     |
|              |                            |     |
|              |                            |     |
|              |                            |     |
|              |                            |     |
|              |                            |     |

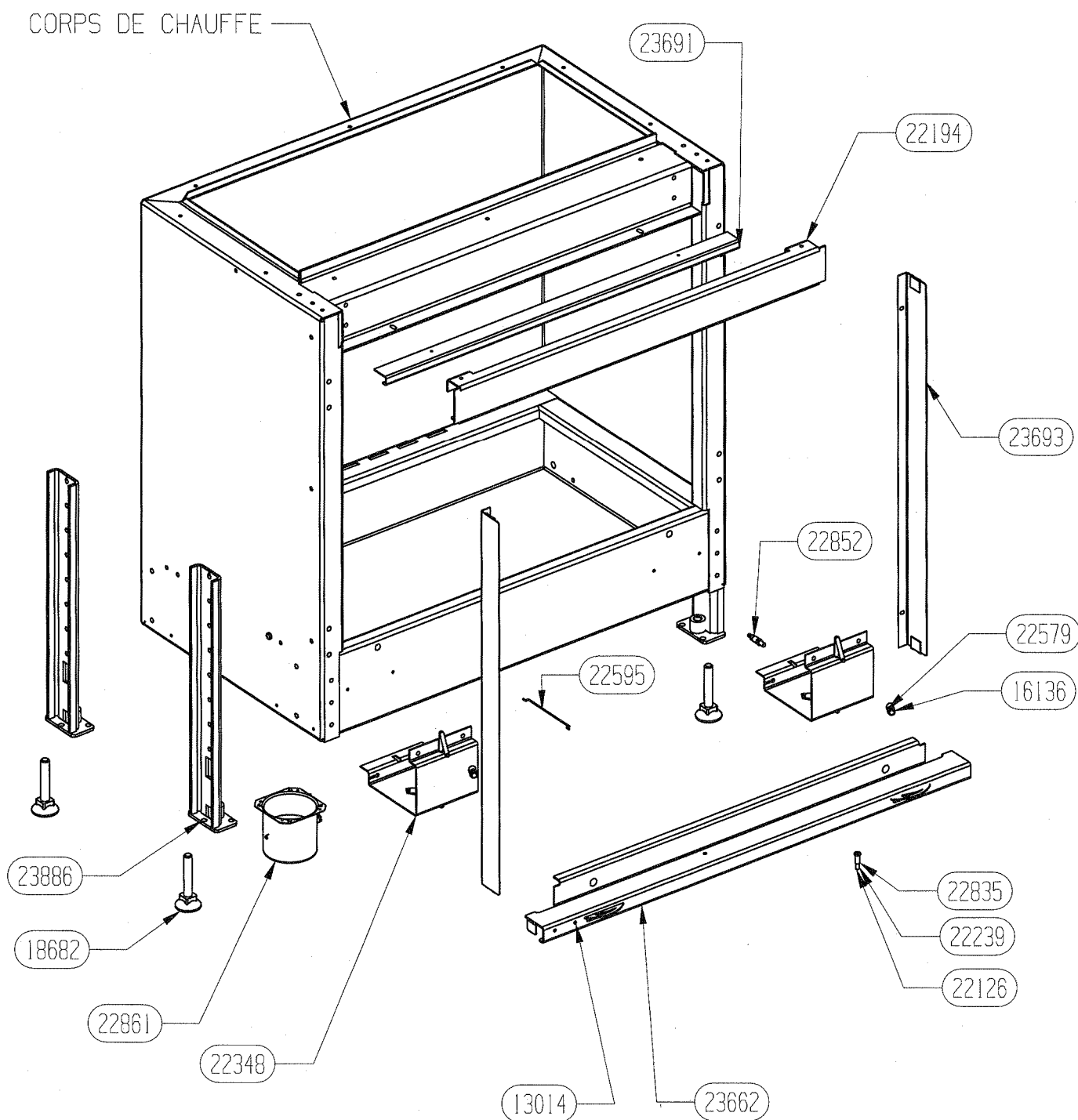










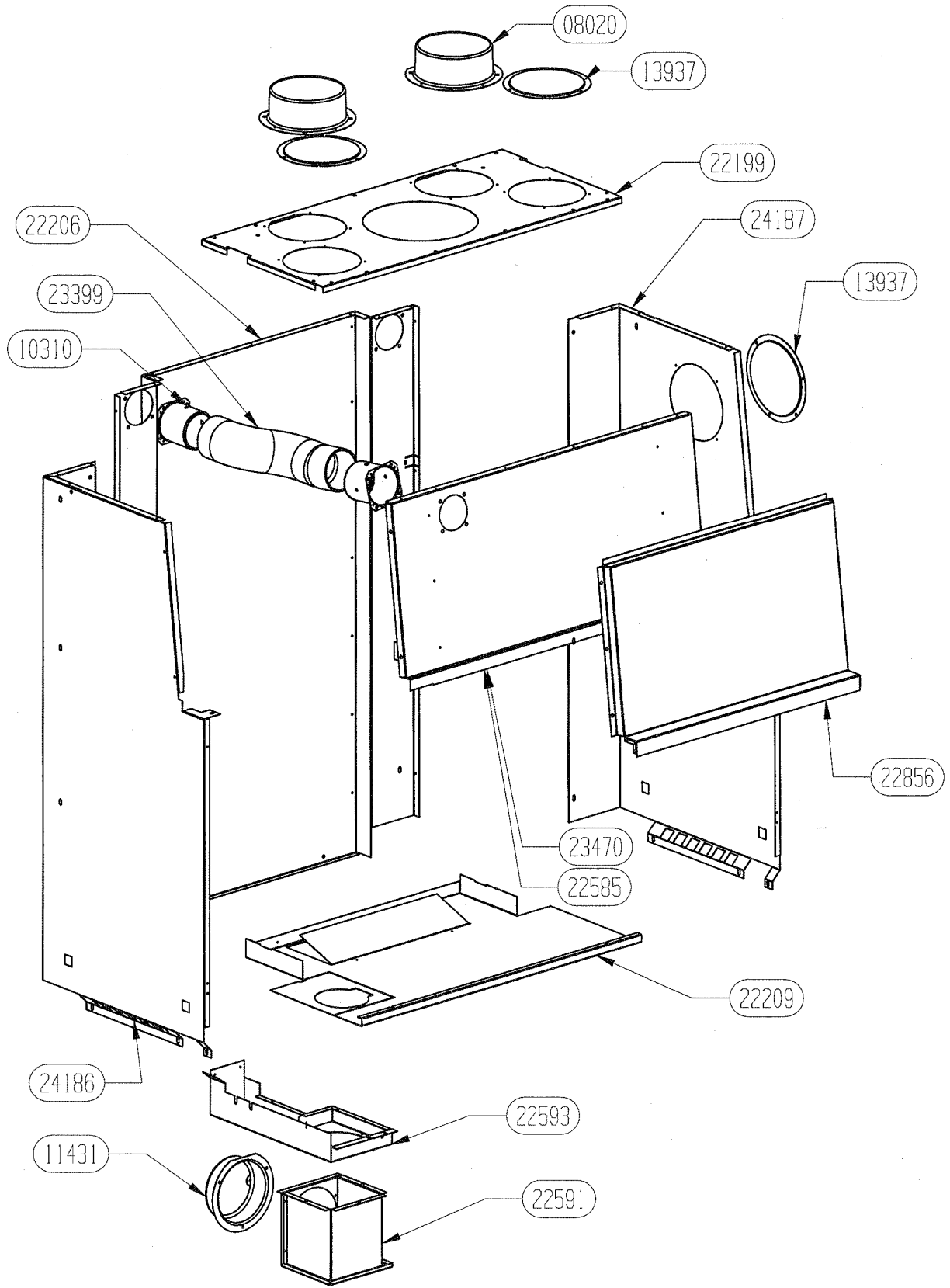


## NOMENCLATURE

RLD 960/961/962 980/981/982

ENSEMBLE CORPS DE CHAUFFE ESCAMOTABLE EDITION 04/05

| CODE ARTICLE | DESIGNATION                   | QTE |
|--------------|-------------------------------|-----|
| CORPS        | CORPS DE CHAUFFE              | 1   |
| 13014        | LOGO RLD                      | 1   |
| 16136        | JOINT TORIQUE D. 3x8          | 4   |
| 18682        | VERIN M12                     | 4   |
| 22126        | ECROU FREIN M5                | 2   |
| 22194        | TRAVERSE SUPERIEURE AVANT     | 1   |
| 22239        | DOUILLE D. 10/7 L. 13,5       | 2   |
| 22348        | COMMANDE CLAPET               | 2   |
| 22579        | BOUTON                        | 2   |
| 22595        | TIGE DE RENVOI AIR DE GRILLE  | 1   |
| 22835        | AXE EPAULE M5 D. 9,5 L. 25,5  | 2   |
| 22852        | CABLE COMMANDE CLAPET DE BUSE | 2   |
| 22861        | BUSE DIA. 75                  | 1   |
| 23662        | APPUI DE CHASSIS              | 1   |
| 23691        | DEFLECTEUR ARRIERE DE VITRE   | 1   |
| 23693        | ENJOLIVEUR                    | 2   |
| 23886        | PIED                          | 4   |
|              |                               |     |
|              |                               |     |
|              |                               |     |
|              |                               |     |
|              |                               |     |
|              |                               |     |
|              |                               |     |



## NOMENCLATURE

RLD 960/961/962 980/981/982

ENSEMBLE PROTECTIONS / DISTRIBUTEUR D'AIR EDITION 04/05

| CODE ARTICLE | DESIGNATION                  | QTE |
|--------------|------------------------------|-----|
| 08020        | BUSE AIR CHAUD DIA. 150      | 2   |
| 10310        | BUSE DIA. 75                 | 2   |
| 11431        | BUSE DIA. 125                | 1   |
| 13937        | OBTURATEUR DIA. 150          | 3   |
| 22199        | DESSUS DA                    | 1   |
| 22206        | ARRIERE DA                   | 1   |
| 22209        | PROTECTION DE SOL            | 1   |
| 22585        | PROTECTION AVANT PACK        | 1   |
| 22591        | BOITE AIR EXTERIEUR DIA. 125 | 1   |
| 22593        | BOITE AIR EXTERIEUR          | 1   |
| 22856        | BOITE AIR DE VITRE           | 1   |
| 23399        | GAINES ALU D. 75 LONG. 400   | 1   |
| 23470        | PROTECTION AVANT             | 1   |
| 24186        | COTE GAUCHE DA               | 1   |
| 24187        | COTE DROIT DA                | 1   |
|              |                              |     |
|              |                              |     |
|              |                              |     |
|              |                              |     |
|              |                              |     |
|              |                              |     |
|              |                              |     |
|              |                              |     |
|              |                              |     |
|              |                              |     |