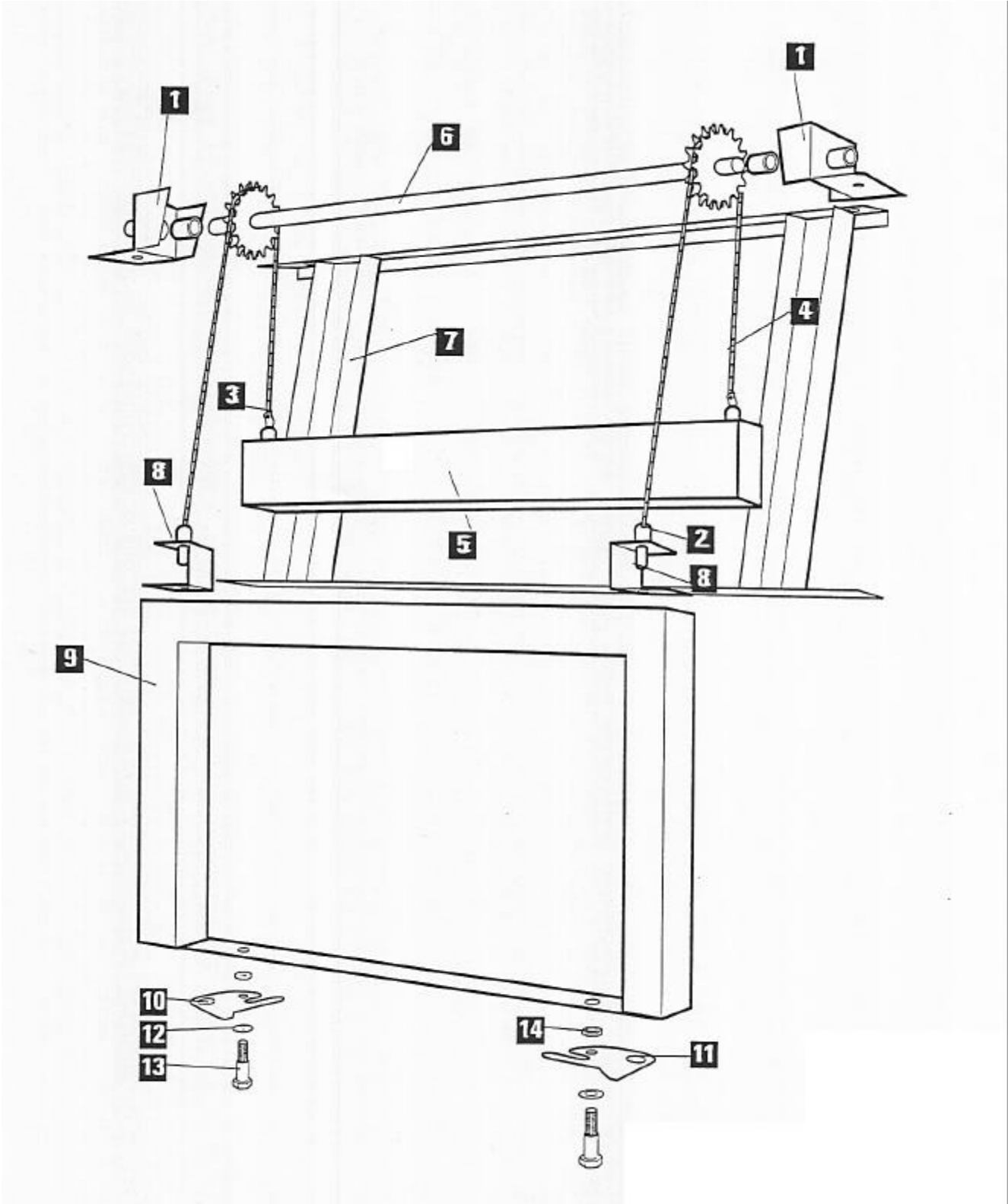


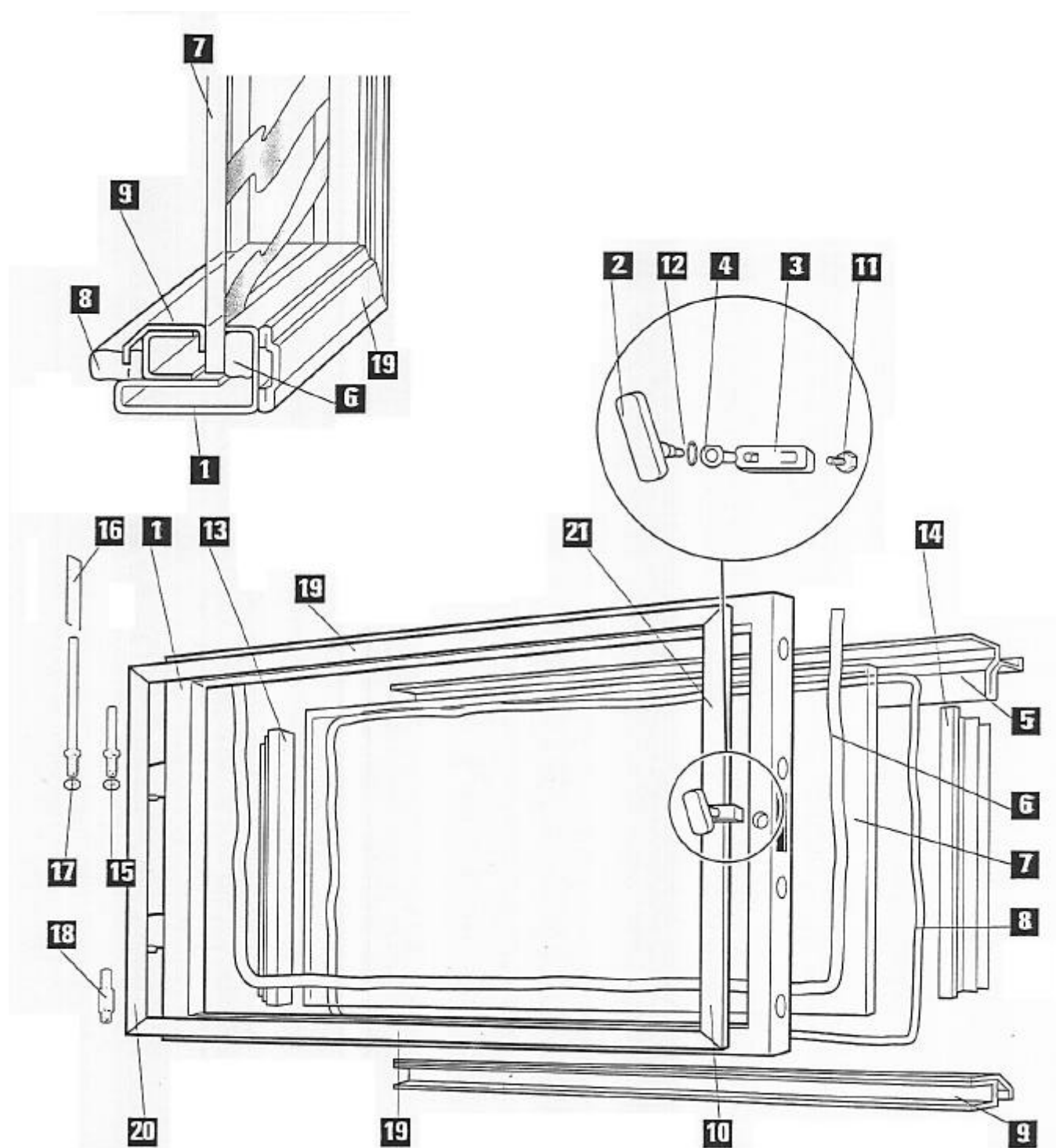
**FOYERS UNIVERS : 201 / 221 / 231
CHASSIS MOBILE**



FOYERS UNIVERS : 201 / 221 / 231
CHASSIS MOBILE

| POSITION | NOMBRE | DESIGNATION / PIECES | 201 | 221 | 231 |
|----------|--------|---------------------------|----------|----------|----------|
| 1 | 2 | Pallier E.M. | 11489 | 11489 | 11489 |
| 2 | 2 | Vis de réglage | 13849 | 13849 | 13849 |
| 3 | 2 | Maillon rapide | 10378 | 10378 | 10378 |
| 4 | 2 | Chaine L = 647,7 | 11620 | 11620 | 11620 |
| 5 | 1 | Contre poids | 13408PB | 13408PB | 13408PB |
| 6 | 1 | Arbre de renvoi E.S | 10172PB | 10172PB | 10172PB |
| 7 | 1 | Chassis fixe | 13367PB | 13367PB | 13367PB |
| 8 | 2 | Accrochage | 13346PB | 13346PB | 13346PB |
| 9 | 1 | Chassis mobile E.M. | 13801 | 13801 | 13801 |
| 10 | 1 | Poignée de verrouillage G | 15849--N | 15849--N | 15849--N |
| 11 | 1 | Poignée de verrouillage D | 15849--N | 15849--N | 15849--N |
| 12 | 2 | Rondelle ondudflex | 04421 | 04421 | 04421 |
| 13 | 2 | Axe de poignée | 13964 | 13964 | 13964 |
| | 1 | Chassis mobile E.M. | 15033 | 15033 | 15033 |

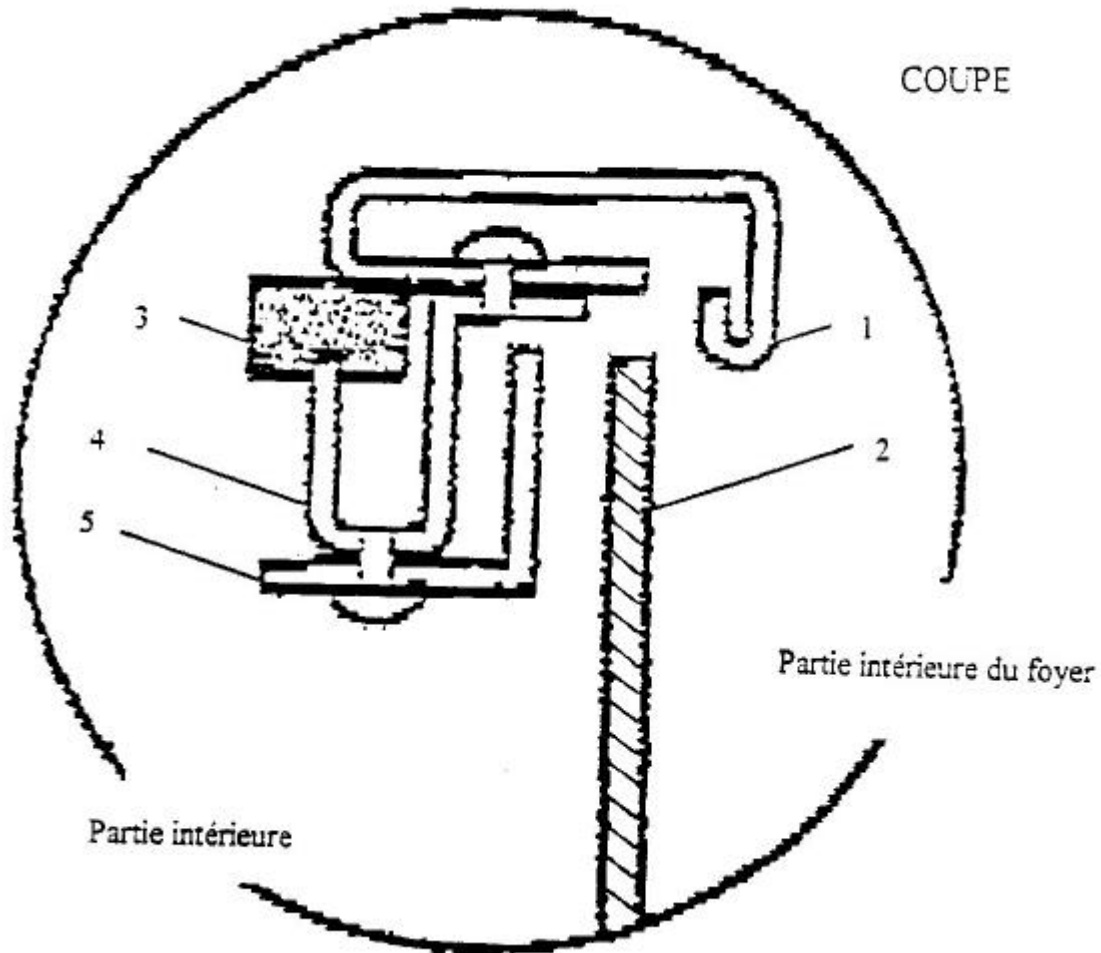
**FOYERS UNIVERS : 200/220/230/201/221/231
ENSEMBLE PORTE**



FOYERS UNIVERS : 200/220/230/201/221/231 ENSEMBLE PORTE

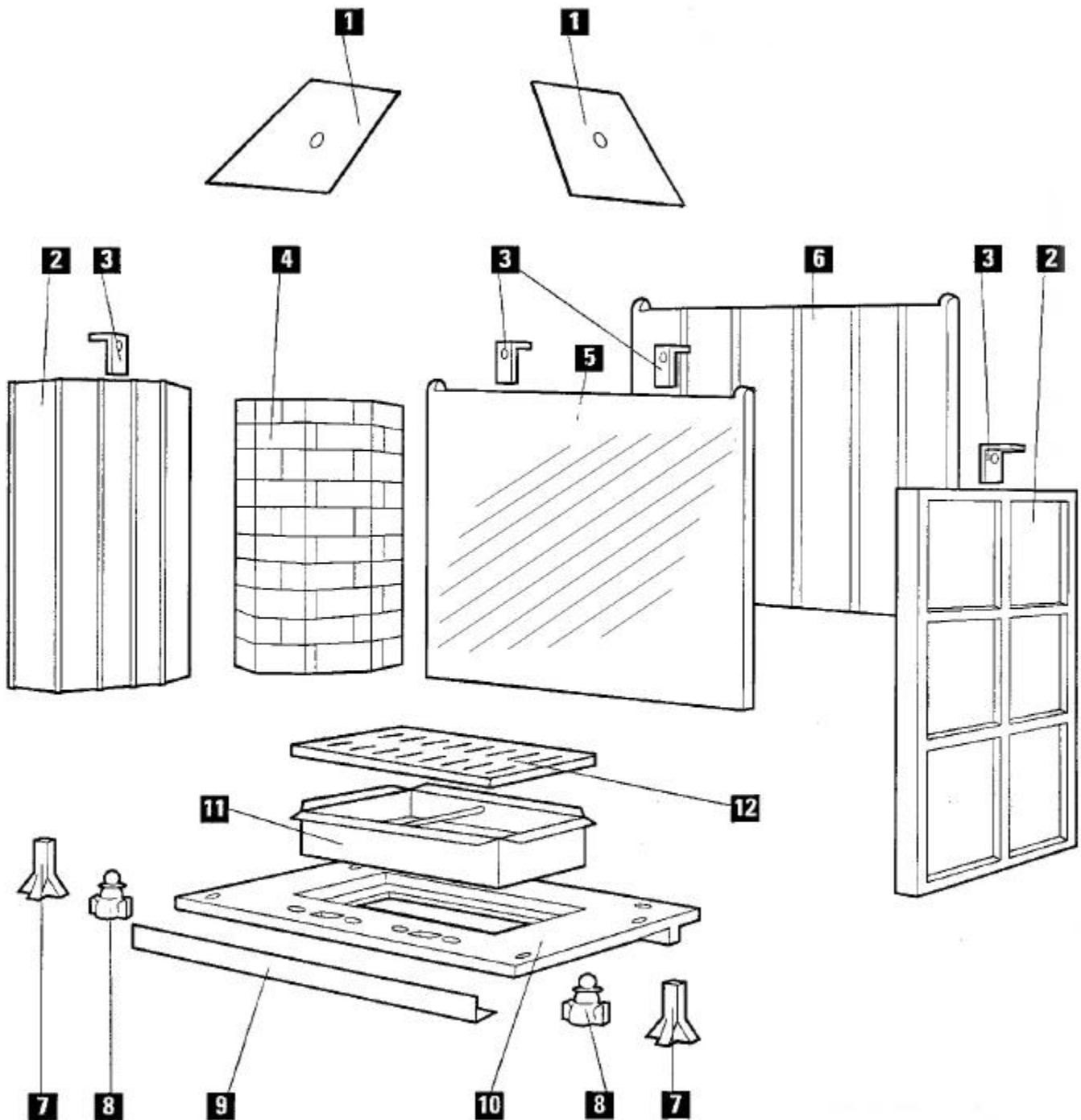
| POSITION | NOMBRE | DESIGNATION / PIECES | 200 | 220 | 230 | 201 | 221 | 231 |
|----------|--------|----------------------------|------------|------------|------------|------------|------------|------------|
| 1 | 1 | Cadre de porte | 10010PO | 10010PO | 10010PO | 10010PO | 10010PO | 10010PO |
| 2 | 1 | Poignée de porte | 09604--E/N | 09604--E/N | 09604--E/N | 09604--E/N | 09604--E/N | 09604--E/N |
| 3 | 1 | Loquet de porte | 09340PO | 09340PO | 09340PO | 09340PO | 09340PO | 09340PO |
| 4 | 1 | Rondelle de guidage | 14224 | 14224 | 14224 | 14224 | 14224 | 14224 |
| 5 | 1 | Déflexeur | 15351PO | 15351PO | 15351PO | 15351PO | 15351PO | 15351PO |
| 5 | 1 | Fixe joint déflexeur | 15356PB | 15356PB | 15356PB | 15356PB | 15356PB | 15356PB |
| 6 | 2 ml | Joint ø 8 | 05891 | 05891 | 05891 | 05891 | 05891 | 05891 |
| 7 | 1 | Vitre | 09618 | 09618 | 09618 | 09618 | 09618 | 09618 |
| 8 | 3 ml | Joint 6 x 12 porte | 09708 | 09708 | 09708 | 09708 | 09708 | 09708 |
| 9 | 1 | Fixe joint inf. E.S. | 09601 | 09601 | 09601 | 09601 | 09601 | 09601 |
| 10 | 1 | Baguette laitonée | 10301 | 10301 | 10301 | 10301 | 10301 | 10301 |
| 11 | 1 | Vis FHC/90 | 09709 | 09709 | 09709 | 09709 | 09709 | 09709 |
| 12 | 1 | Rondelle axe de verrou | 03303 | 03303 | 03303 | 03303 | 03303 | 03303 |
| 13 | 1 | Fixe joint lat. gauche E.S | 09600PB | 09600PB | 09600PB | 09600PB | 09600PB | 09600PB |
| 14 | 1 | Fixe joint lat. Droit E.S. | 09599PB | 09599PB | 09599PB | 09599PB | 09599PB | 09599PB |
| 15 | 2 | Pivot de porte supérieur | 09734 | 09734 | 09734 | 09734 | 09734 | 09734 |
| 18 | 1 | Pivot de porte inférieur | 12191 | 12191 | 12191 | 12191 | 12191 | 12191 |
| 19 | 2 | Baguette laitonée | 10295 | 10295 | 10295 | 10295 | 10295 | 10295 |
| 20 | 1 | Baguette laitonée | 10296 | 10296 | 10296 | 10296 | 10296 | 10296 |
| 21 | 1 | Baguette laitonée | 10303 | 10303 | 10303 | 10303 | 10303 | 10303 |
| | 1 | Porte E.M | 10012 | 10012 | 10012 | 10012 | 10012 | 10012 |

FOYERS UNIVERS
200 / 220 / 230 / 201 / 221 / 231
DEFLECTEUR DE VITRE REGLABLE



| POSITION | NOMBRE | DESIGNATION / PIECES | 148 | 150b | 152b | 168 | 162 | 152VL | 162VL |
|----------|--------|-----------------------------|---------|---------|---------|---------|---------|---------|---------|
| 1 | 1 | Cadre de porte | 10010PO | 10010PO | 10010PO | 10010PO | 10010PO | 10010PO | 10010PO |
| 2 | 1 | Vitre | 09618 | 09618 | 09618 | 09618 | 09618 | 09618 | 09618 |
| 3 | 1 | Joint | 09708 | 09708 | 09708 | 09708 | 09708 | 09708 | 09708 |
| 4 | 1 | Fixe joint | 15356PB | 15356PB | 15356PB | 15356PB | 15356PB | 15356PB | 15356PB |
| 5 | 1 | Défecteur de vitre réglable | 15351PO | 15351PO | 15351PO | 15351PO | 15351PO | 15351PO | 15351PO |

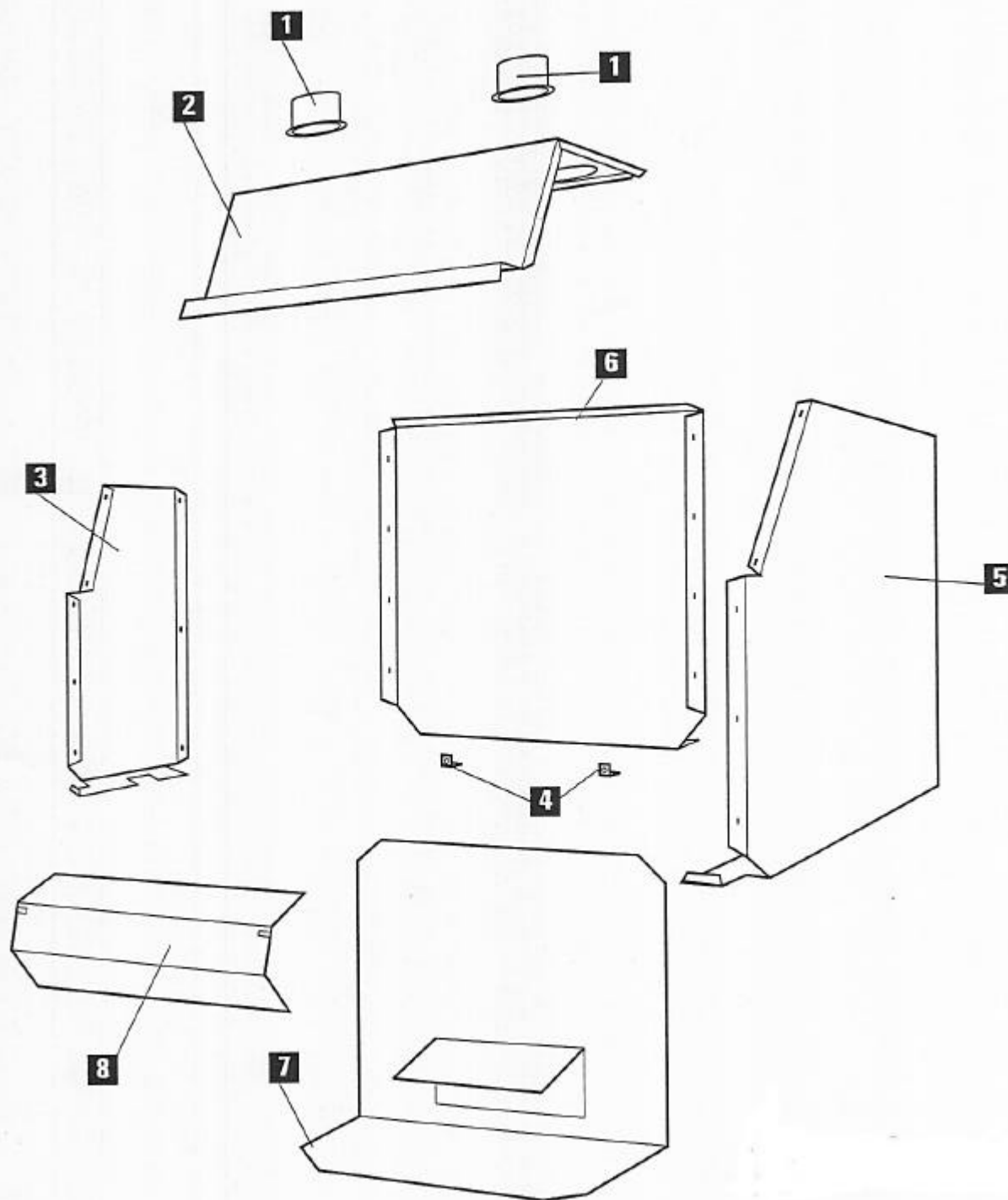
**FOYERS UNIVERS : 200/220/230/201/221/231
ELEMENTS INTERIEURS**



FOYERS UNIVERS : 200/220/230/201/221/231
ELEMENTS INTERIEURS

| POSITION | NOMBRE | DESIGNATION / PIECES | 200 | 220 | 230 | 201 | 221 | 231 |
|----------|--------|------------------------|---------|---------|---------|---------|---------|---------|
| 1 | 2 | Déфлекteur | 13808 | 13808 | 13808 | 13808 | 13808 | 13808 |
| 2 | 2 | Côté fonte | 09420 | 09420 | / | 09420 | 09420 | / |
| 3 | 4 | Bride | 10112PB | 10112PB | 10112PB | 10112PB | 10112PB | 10112PB |
| 4 | 4 | Paroi brique | / | / | 09432 | / | / | 09432 |
| 5 | 1 | Plaque d'âtre | 13738 | / | / | 13738 | / | / |
| 6 | 1 | Plaque d'âtre gothique | / | 13740 | / | / | 13740 | / |
| 7 | 2 | Chenet patte d'oie | / | 11237 | / | / | 11237 | / |
| 8 | 2 | Chenet fonte | 07255PB | / | 07255 | 07255 | / | 07255 |
| 9 | 1 | Barrière à cendres | 11882PB | 11882PB | 11882PB | 11882PB | 11882PB | 11882PB |
| 10 | 1 | Sole fonte | 09418 | 09418 | 09418 | 09418 | 09418 | 09418 |
| 11 | 1 | Cendrier | 07406PB | 07406PB | 07406PB | 07406PB | 07406PB | 07406PB |
| 12 | 1 | Grille de décendrage | 10766 | 10766 | 10766 | 10766 | 10766 | 10766 |

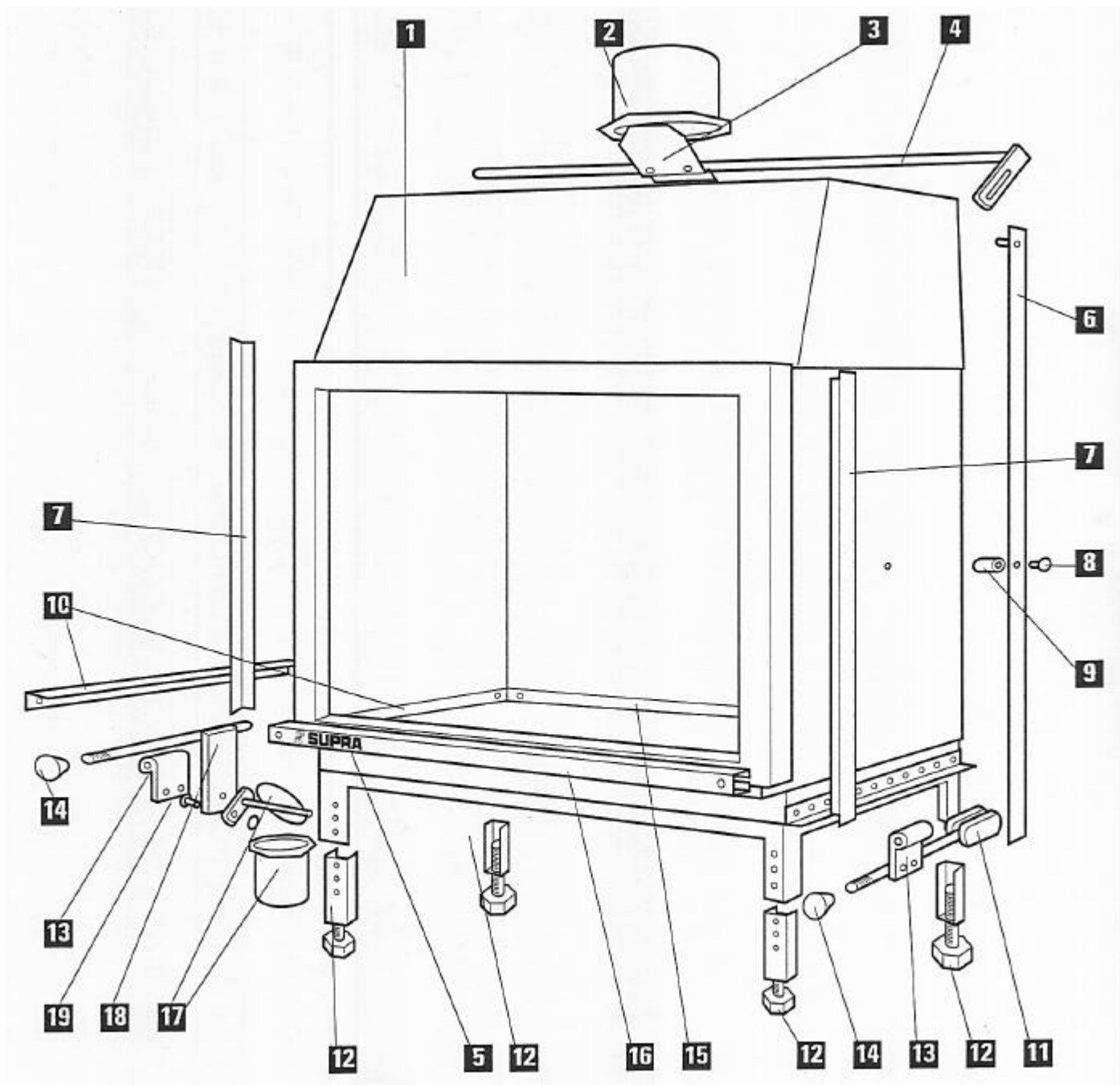
**FOYERS UNIVERS : 200/220/230/201/221/231
DISTRIBUTION D'AIR**



FOYERS UNIVERS : 200/220/230/201/221/231
DISTRIBUTION D'AIR

| POSITION | NOMBRE | DESIGNATION / PIECES | 200 | 220 | 230 | 201 | 221 | 231 |
|----------|--------|--------------------------|---------|---------|---------|---------|---------|---------|
| 1 | 2 | Buse diamètre 150 | 07085DG | 07085DG | 07085DG | 07085DG | 07085DG | 07085DG |
| 2 | 1 | Distributeur d'air | 13374 | 13374 | 13374 | 13374 | 13374 | 13374 |
| 3 | 1 | Protection gauche | 13375 | 13375 | 13375 | 13375 | 13375 | 13375 |
| 4 | 2 | Équerre | 00539 | 00539 | 00539 | 00539 | 00539 | 00539 |
| 5 | 1 | Protection droite | 13376 | 13376 | 13376 | 13376 | 13376 | 13376 |
| 6 | 1 | Protection arrière | 13373 | 13373 | 13373 | 13373 | 13373 | 13373 |
| 7 | 1 | Ecran thermique cendrier | 13363 | 13363 | 13363 | 13363 | 13363 | 13363 |
| 8 | 1 | Protection ventilateur | 13643 | 13643 | 13643 | 13643 | 13643 | 13643 |

**FOYERS UNIVERS : 200/220/230/201/221/231
PIECES DETACHEES**



FOYERS UNIVERS : 200/220/230/201/221/231 PIECES DETACHEES

| POSITION | NOMBRE | DESIGNATION / PIECES | 200 | 220 | 230 | 201 | 221 | 231 |
|----------|--------|----------------------|----------|----------|----------|----------|----------|----------|
| 1 | 1 | Avaloir | 13410PB | 13410PB | 13410PB | 13410PB | 13410PB | 13410PB |
| 2 | 1 | Buse ø 200 | 04384 | 04384 | 04384 | 04384 | 04384 | 04384 |
| 3 | 1 | Clapet by-pass | 13416 | 13416 | 13416 | 13416 | 13416 | 13416 |
| 4 | 1 | Axe clapet by-pass | 10189--U | 10189--U | 10189--U | 10189--U | 10189--U | 10189--U |
| 5 | 1 | Logo | 13015 | 13015 | 13015 | 13015 | 13015 | 13015 |
| 6 | 1 | Biellette E.S | 13424PB | 13424PB | 13424PB | 13424PB | 13424PB | 13424PB |
| 7 | 2 | Enjoliveur latéral | 13372PO | 13372PO | 13372PO | 13372PO | 13372PO | 13372PO |
| 8 | 1 | Axe pour biellette | 10565 | 10565 | 10565 | 10565 | 10565 | 10565 |
| 9 | 1 | Entretoise | 07601 | 07601 | 07601 | 07601 | 07601 | 07601 |
| 10 | 2 | Appui latéral | 13358 | 13358 | 13358 | 13358 | 13358 | 13358 |
| 11 | 1 | Commande by-pass | 13404 | 13404 | 13404 | 13404 | 13404 | 13404 |
| 12 | 4 | Pieds | 13687PB | 13687PB | 13687PB | 13687PB | 13687PB | 13687PB |
| 13 | 2 | Paumelle à visser | 03660 | 03660 | 03660 | 03660 | 03660 | 03660 |
| 14 | 2 | Bouton de commande | 10061 | 10061 | 10061 | 10061 | 10061 | 10061 |
| 15 | 2 | Appui transversal | 13357 | 13357 | 13357 | 13357 | 13357 | 13357 |
| 16 | 1 | Appui de chassis | 13345PO | 13345PO | 13345PO | 13345PO | 13345PO | 13345PO |
| 17 | 1 | Buse à papillon | 13406PB | 13406PB | 13406PB | 13406PB | 13406PB | 13406PB |
| 18 | 1 | Commande buselot | 13401 | 13401 | 13401 | 13401 | 13401 | 13401 |
| 19 | 1 | Vis à tôle | 11138 | 11138 | 11138 | 11138 | 11138 | 11138 |
| | 1 | Avaloir EM | 13814 | 13814 | 13814 | 13814 | 13814 | 13814 |
| | | Joint plat (buse) | 15845 | 15845 | 15845 | 15845 | 15845 | 15845 |